

ATS2PC0125-11

ATS2PC0125-22

Double Throw Type ATS

Rated Voltage 250Vac Rated Current 125Amp

Features

- Modular design for installation next to switch or on the door
- Electrically or manually operated, mechanically held contacts
- Adjustable time delay in neutral position
- Compact size with user-friendly status LED display
- Monitor Normal & Standby source OV and UV
- Built-in 1 to 4 weeks with / without load exerciser
- Made with UL 94V-0 plastic
- Build-in neutral lug module
- Designed for telecom industry or home ATS applications



ATS2PC0125-11
ATS2PC0125-22
www.kutai.com.tw

*Link to [ATS2PC0125-2](#). Standard model with opening on door panel fitted with TC-V2 digital controller.

TS2P125 Switch Specifications

| | |
|--------------------------|---|
| Rated Voltage | 250 Vac |
| Rated Current | 125 Amp |
| Rated Frequency | 50/60 Hz |
| Switch Type | Double throw with Neutral position |
| Operating Current | 3.0A @ 220V 6.0A @ 110V |
| Poles | 2 Poles |
| Rated Short-Time Current | 3.0 KA / 1 second @ 250 Vac |
| Short Circuit Peak Value | 7.5 KA |
| Utilization Category | AC-33A* |
| Operation Life | Over 6000 times / with load |
| Rated Operating Voltage | TCS2P125-11 90 to 140 Vac TCS2P125-22 180 to 270 Vac |

TC-V2 Digital Controller Specifications

| | |
|-----------------------|---|
| Over Volt Setting | 110 to 280 Vac (adjustable) |
| Over Volt Reset | Below 10 Vac of the OV setting |
| Under Volt Setting | 80 to 230 Vac (adjustable) |
| Under Volt Reset | Exceed 10 Vac of the UV setting |
| Adjustable Time Delay | TDEN 0 to 99 seconds TDNE 0 to 99 seconds TDEC 0 to 99 seconds TDES 0 to 30 seconds TDOFF 1 to 20 seconds |
| Normal ON Capacity | 7A @ 250 Vac Max. |
| Standby ON Capacity | 7A @ 250 Vac Max. |
| Remote Start Capacity | 6A @ 277 Vac 6A @ 28 Vdc Max. |
| Power Consumption | Less than 1W |

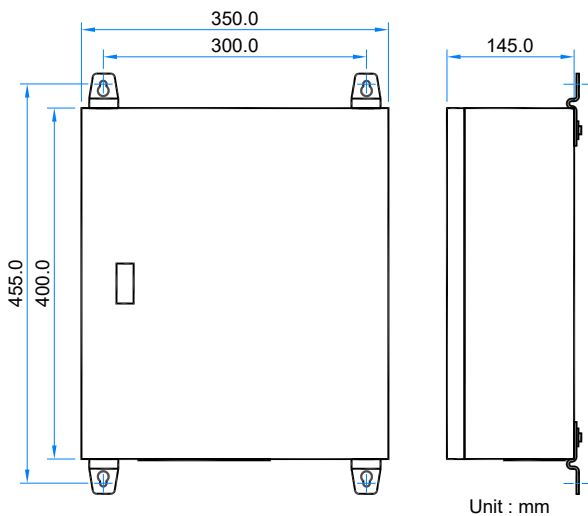
ATS Class

PC

*IEC60947-6-1 Utilization Category AC-33A:

- Frequent operations.
- Motor loads or mixed loads including motors, resistive loads and up to 30% incandescent lamp.

Dimensions



Unit : mm

Environment

| | |
|-----------------------|---------------|
| Operating Temperature | -20 to +60 °C |
| Storage Temperature | -20 to +80 °C |
| Relative Humidity | Max. 95% |

Physical Specifications

| | |
|------------|--------------------------------------|
| Dimensions | 455.0 (H) x 350.0 (W) x 145.0 (D) mm |
| Weight | 9.0 Kg +/-2% |



KUTAI ELECTRONICS INDUSTRY CO., LTD.

TEL : +886-7-8121771 FAX : +886-7-8121775 Website : www.kutai.com.tw
Headquarters : No.3, Ln. 201, Qianfu St., Qianzhen Dist., Kaohsiung City 80664, Taiwan

